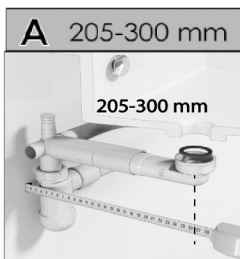
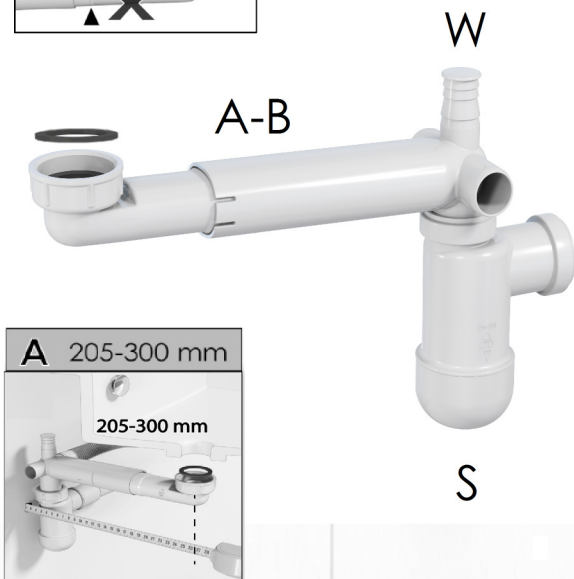
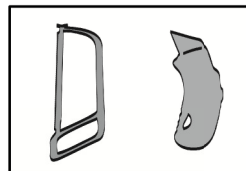
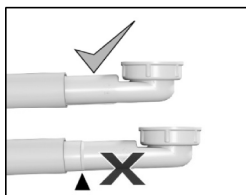


# Preloc 300-Series

Certified in accordance to EN 274-1:2002

# PREVEX

www.prevex.com



## B LENGTH OF THE SIPHON ARM 145-205 mm

