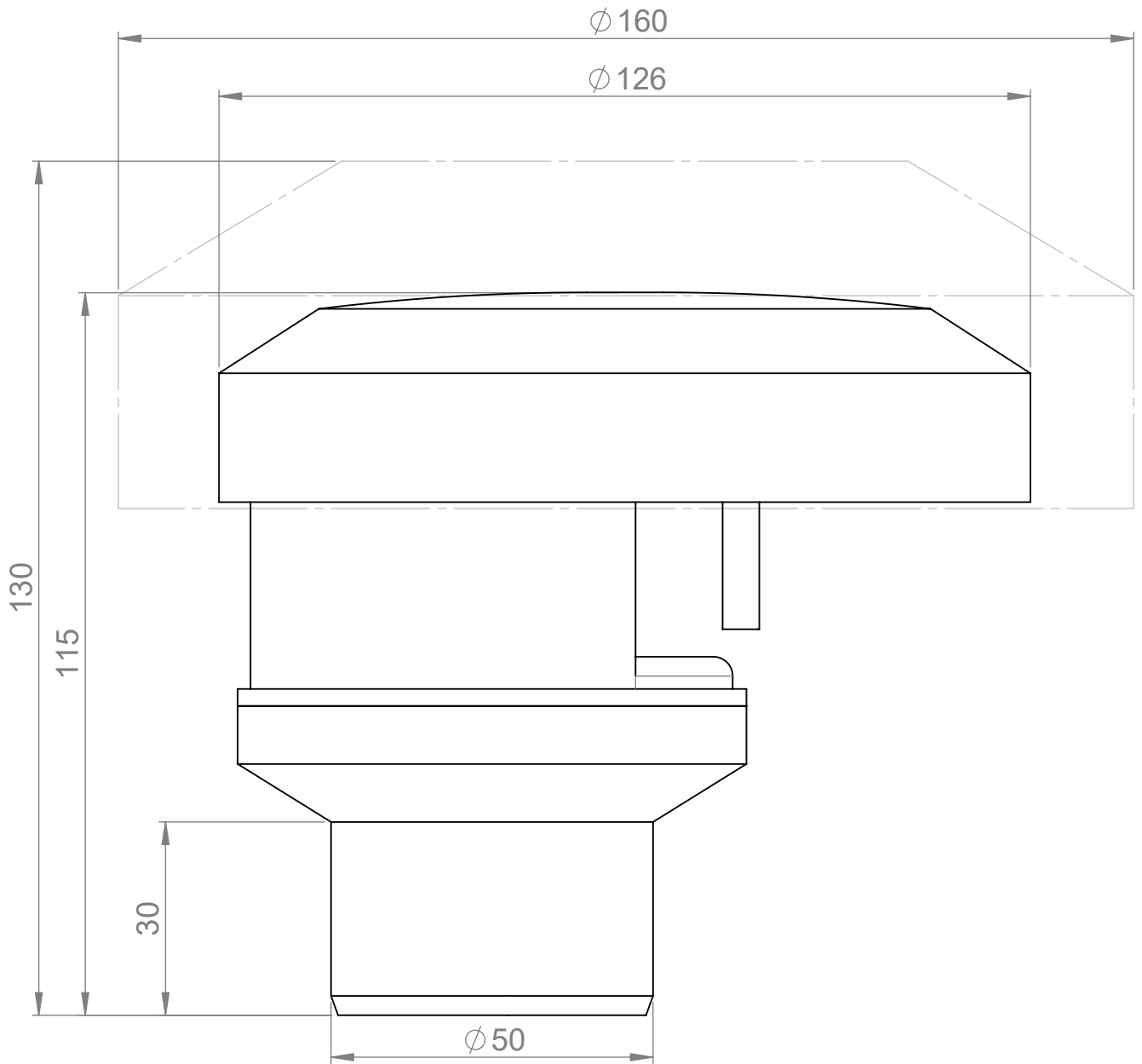


Reproduction, distribution, and utilization of this document as well as communication of its contents to others without express authorization prohibited.



PRODUKT NR. / PRODUCT NO		KLIENT / CUSTOMER		Materiał / Material		NAZWA / DESCRIPTION	
SKALA / SCALE		PROJEKT NR. / PROJECT NO		Dimensions without tolerance values are according to DIN ISO 2768-1m		Prevac 50	
1:1		A4					
KONSTRUKTOR / DESIGNER	DATA / DATE	 ul. Cisowa 9, Niepruszewo 64-320 Buk		NR RYSUNKU/ DRAWING NO		REV	
ZATWIERDZIŁ / APPROVED BY	DATA / DATE			MASA / MASS		3100184	